



Windham™

Two-piece elongated 1.28 gpf chair height toilet
402315

Features

- Two-piece design
- Elongated bowl offers added room and comfort
- Comfort Height™ feature offers chair-height seating that makes sitting down and standing up easier for most adults
- 1.6 gpf (6.0 lpf)
- Pro Force™ flushing technology

Installation

- Standard 12" (305 mm) rough-in
- Three-bolt quick-connect installation

Included Components

Product consists of:

- 404515
- 403315

Additional Components:

- Bolt caps (pair)
- Tank cover
- tank hardware accessory pack
- trip lever



ADA	CSA B651	OBC
-----	----------	-----

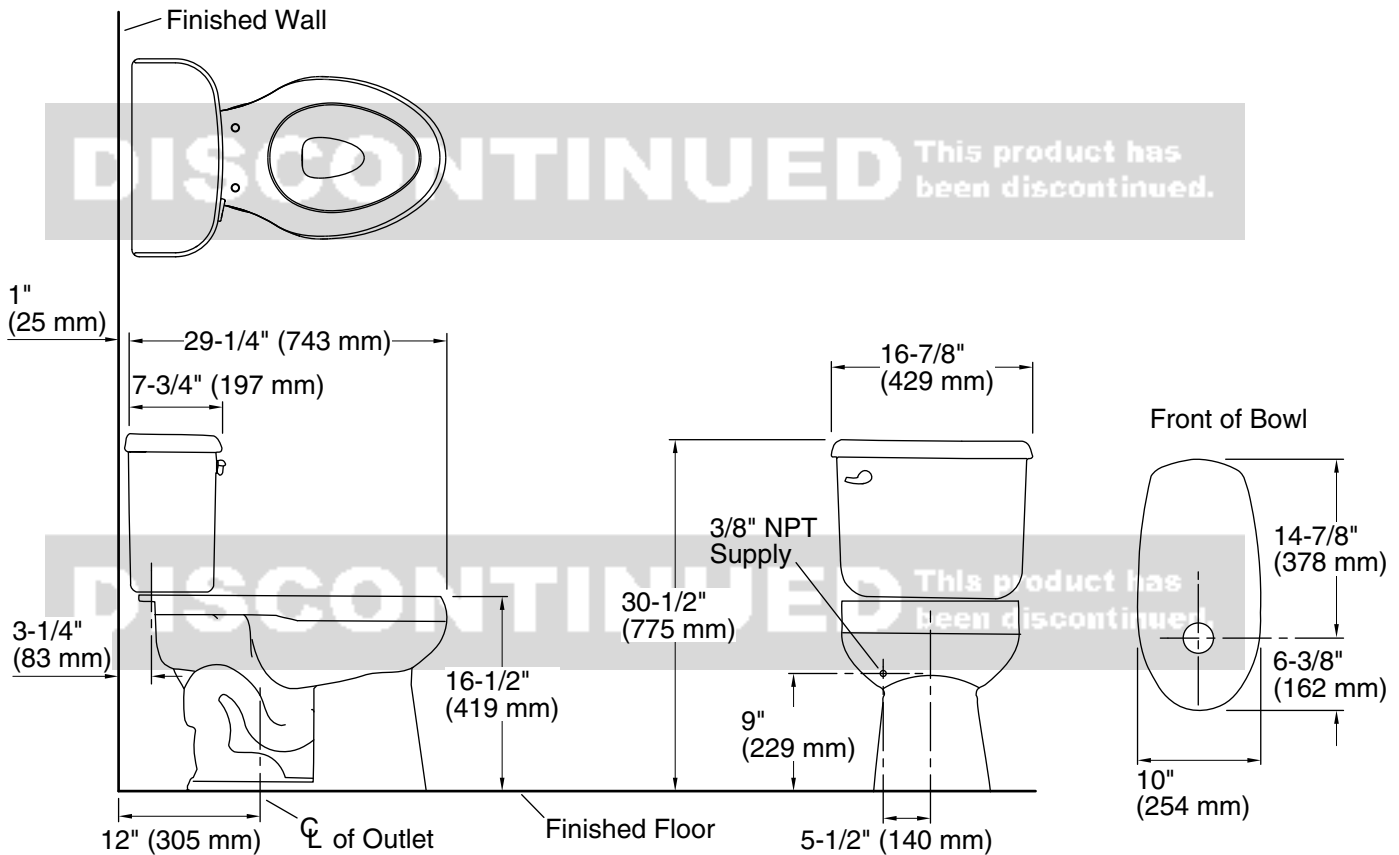
Codes/Standards

- ASME A112.19.2/CSA B45.1
- DOE - Energy Policy Act 1992
- ADA
- ICC/ANSI A117.1
- CSA B651
- OBC

STERLING® Toilet Limited Warranty

See website for detailed warranty information.

DISCONTINUED This product has been discontinued.



Technical Information

All product dimensions are nominal.

- Toilet type: Floor-mount
- Waste Outlet: Floor
- Bowl shape: Elongated
- Flush type: Gravity siphon rim jet
- Trap passageway: 2" (51 mm)
- Water surface size: 8" x 9" (203 mm x 229 mm)
- Rough-in: 12" (305 mm)
- Seat-mounting holes: 5-1/2" (140 mm)

Notes

- Install this product according to the installation instructions.
- Measure your actual product for roughing-in details.
- ADA, OBC, CSA B651 compliant when installed to the specific requirements of these regulations.
- Plumbing codes may require elongated toilets and elongated, open-front seats in public bathrooms.
- Accessibility standards may require controls to be located on the open side of the toilet.